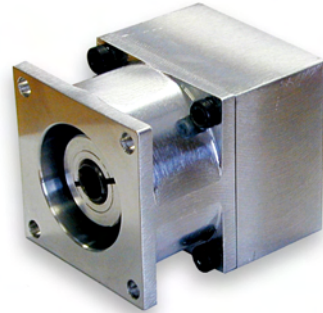


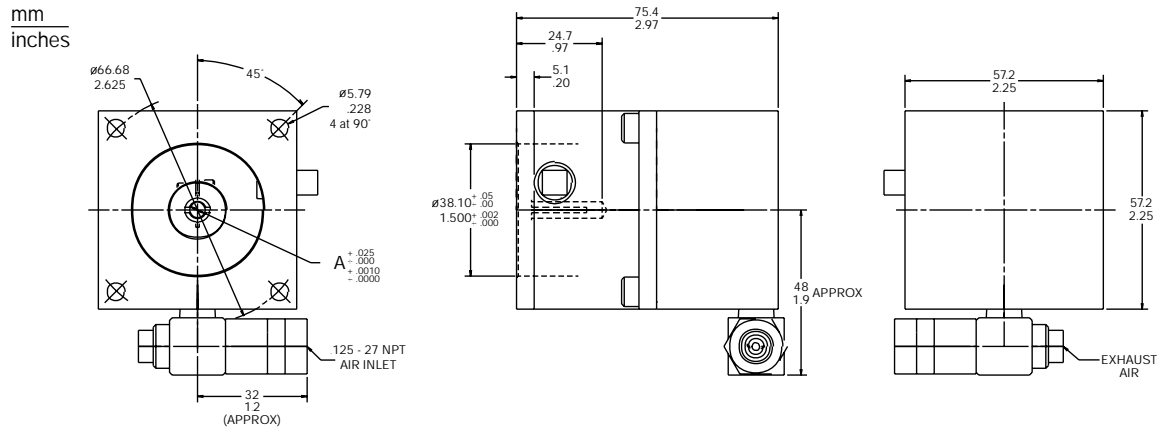
Stage Brake NEMA 23 Sizes

Designed with ease of installation, precision and security in mind, the Nexen Stage Brake provides simple mounting procedures that permit both vertical and horizontal holding for installation on the non-driven end of ball screw stages. This type of installation reduces the risks associated with motor shaft/coupling failure. A true zero backlash brake, it also allows high lead on ball screw stages without fear of back-drive.



- Emergency holding and stopping for increased safety
- Designed for vertical and horizontal applications
- Simple pneumatic valve for easy installation
- Zero backlash allows for precision holding
- 2.25 Nm [20 in-lb] of torque
- Economical

Stage Brake, Approximate Dimension



Nexen Product Number	Shaft Size "A"	USED IN: Thompson Super Slide™, Powerslide™ and Ball Screw Assembly
964630	0.1875 in	2DB08
964631	0.25 in	2AB08, 2CB08, 2CB12, 2DB12, 2EB08, BSA08, BSDAM12
964632	0.375 in	2AB12, 2EB12, BSA12, BSAM20
964633	8 mm	2HBM10, 2RBM12
964634	10 mm	2NBM20, 2RBM16
964635	12 mm	2HEM10, 2NEM20, 2REM12, 2REM16

In accordance with Nexen's established policy of constant product improvement, the specifications contained in this document are subject to change without notice. Technical data listed in this document are based on the latest information available at the time of printing and are also subject to change without notice. For current information, please consult www.nexengroup.com

nexen™

Nexen Group, Inc.
560 Oak Grove Parkway
Vadnais Heights, MN
55127

800.843.7445
Fax: 651.286.1099
www.nexengroup.com
ISO 9001 Certified



MEX (55) 53 63 23 31 MTY (81) 83 54 10 18
QRO (442) 1 95 72 60 ventas@industrialmagza.com

©2001 Nexen Group, Inc.
21071-A-0101